



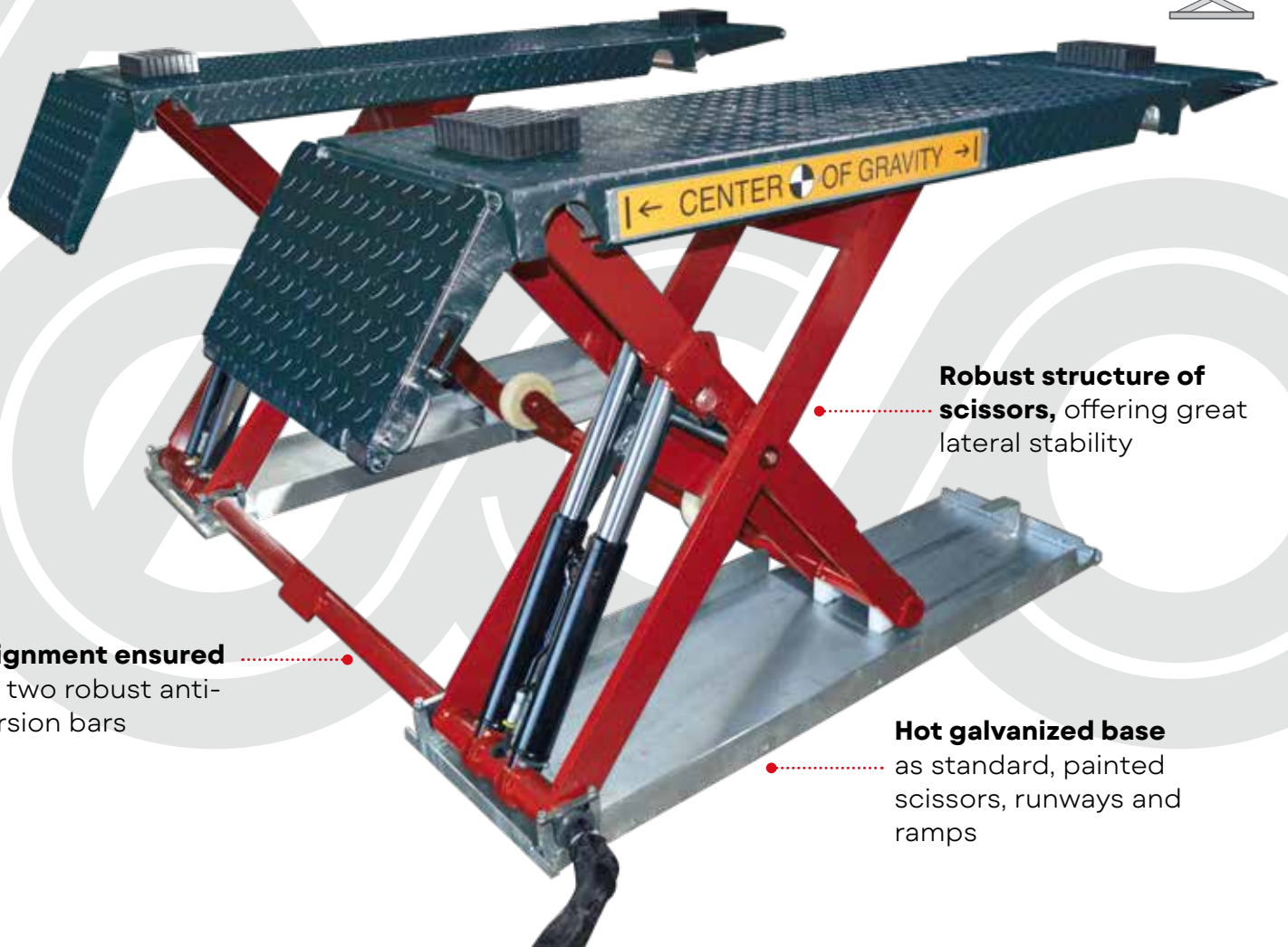
Automotive Equipment

# C350 B

 Lifts

**Reversible low-profile electrohydraulic scissors lift for cars, SUVs and vans**

3500



**Alignment ensured** .....  
by two robust anti-torsion bars

**Robust structure of scissors**, offering great lateral stability

**Hot galvanized base** as standard, painted scissors, runways and ramps

**Start lever** from zero position to maximum height



**Ideal for tyre specialists, car workshops, and body repairers.**

## Lifts

### HYDRAULIC SYSTEM

Redundant hydraulic system with two cylinders per runway, without the need for compressed air and mechanical safety devices.



### CONTROL UNIT

Low voltage control unit with “dead-man” control system.



### RUNWAYS WITH FLAPS

Runways with hung flaps, which also serve as ramps to get the vehicle on. Their “almond-shaped” structure ensures good manoeuvrability even in wet conditions.



### STANDARD ACCESSORIES



**RUBBER BLOCKS**  
Kit of 4 pcs H=40 mm

### OPTIONAL ACCESSORIES



**8-41100228 KIT ON CARRIAGE**  
Consisting of wheels and manual lever



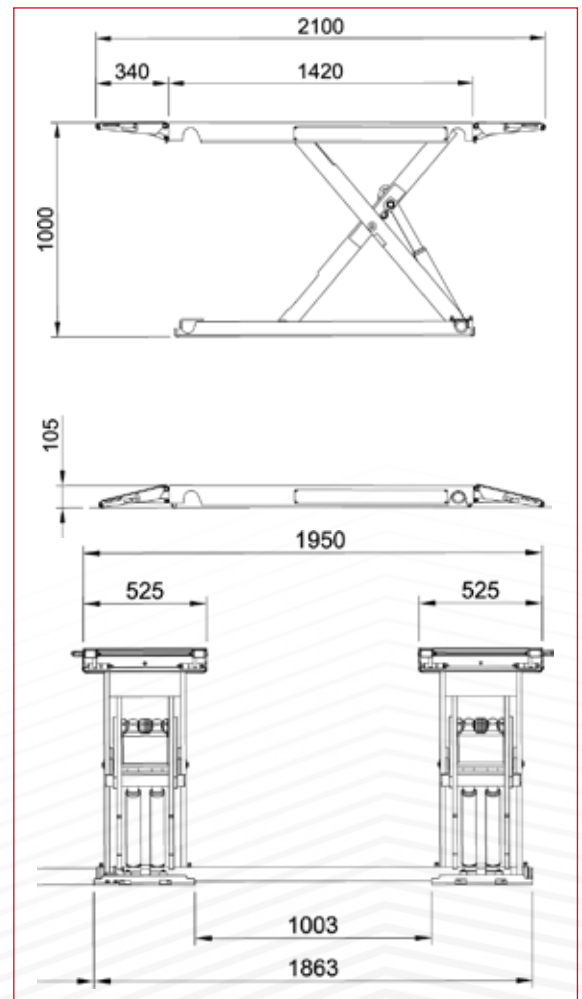
**8-42300027 RUBBER BLOCKS**  
Kit of 4 pcs H=80 mm

See separate catalogue for further accessories.

### TECHNICAL DATA

Lift capacity	3500 kg
Maximum lifting height	895 mm
Minimum lifting height	105 mm
Working height	1000 mm + tamponi gomma
Lifting/lowering time	16 s
Hydraulic unit	2.2 kW
Voltage	230/400V - 3Ph - 50/60Hz

### DIMENSIONS



The manufacturer reserves the right to modify the features of its products at any time.

Cod. DPTC000535\_09\_2024