

tesco 270 *Bike*

Automotive Equipment

Tyre changer specifically manufactured for bikes, scooters and Quad bikes

 Motorcycle Tyre Changer

Extremely multi-purpose
swivelling arm

Clamping capacity
from **4"** to **26"**

Dedicated **bead**
breaking blade f
or **bike wheels**



Robustness and great versatility make it the ideal tool for industry specialists

teco 270 Bike

Semi-automatic tyre changer with **extremely multi-purpose swivelling arm** for **bike, scooter, go-kart** and **high-profile wheels** such as **Quad wheels**.

Great attention has been paid to the wheel clamping system. Both standard and special jaws allow correct clamping and protection of the rim profile. The tyre changer structure is intentionally derived from car tyre changer to offer greater robustness and performance.



1 TURNTABLE PLATE WITH NEW MODULAR JAWS

New modular clamping system with **plastic protections** for resting both the rim and the clamping part on the profile.



4" SET-UP

for clamping wheels up to 4"



ENDURO



SCOOTER





2 OPERATING ARM

Its use is extremely simple, and it is robust at the same time. The technology derived from the car world ensures excellent performance. The rim diameter is manually adjusted using the **dedicated knob**. The tool head is then locked with the **lever** at the end of the vertical arm.

3 BEAD BREAKER SHOE

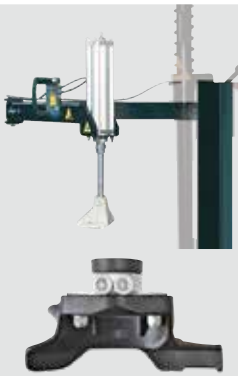
New dedicated bead breaker with **smaller** and **profiled blade** for **bike-scooter** rims. **Plastic protection** always available to avoid scratching the rims.



RECOMMENDED ACCESSORIES



8-11100463
REMOVABLE PLATFORM FOR BIKE WHEEL
Wedge to perfectly position small-diameter wheels with respect to the bead breaking blade. **Equipped with knob for securing to the machine body**



8-11120032
BPL HELP DEVICE
Adjustable in height, it is **limited to the tyre bead pressure phase from above**

8-11400329
TPA-Wing
Full Assembly plastic tool-head kit with adapter

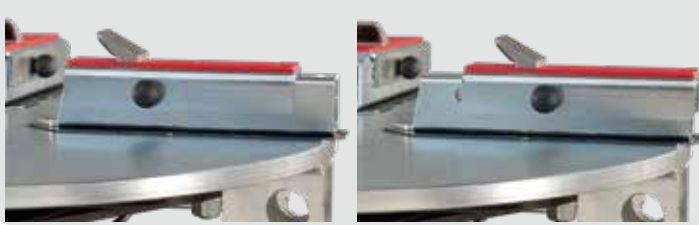
8-11100461 RACING BIKE SELF-CENTERING JAW KIT 8" - 26"

HIGH PROFILE - PROTRUDING SPOKES



8-11100462 ATV SELF-CENTERING JAW KIT 5" - 18"

QUAD - ATV

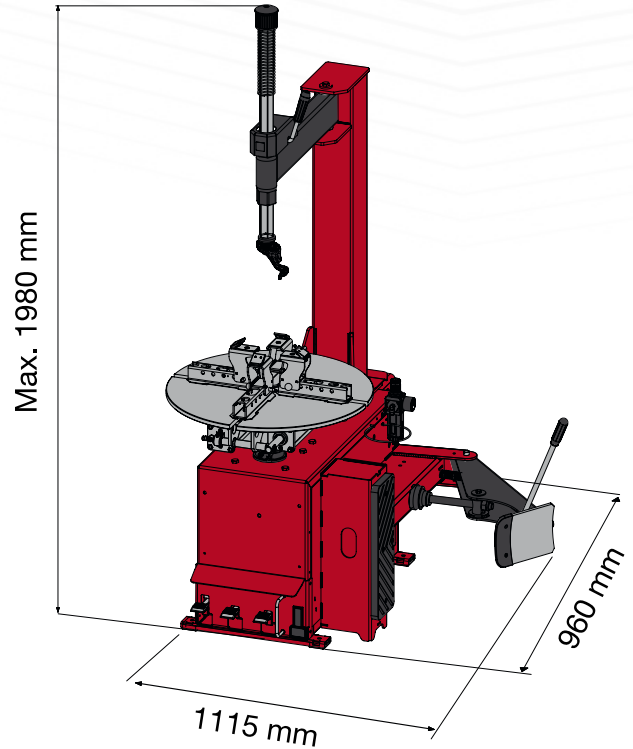


Motorcycle Tyre Changer

STANDARD ACCESSORIES



OVERALL DIMENSIONS



TECHNICAL DATA

Self-centering

rim clamping capacity	4" ÷ 26"
maximum tyre diameter	980 mm (38,5")
maximum tyre width	305 mm (12")
rotation torque	1200 Nm (400V 3ph)
rotation speed	8,5 rpm
height above the ground	665 mm

Bead breaker

maximum opening	320 mm
blade force	15.500 N - 10Bar

Tool

working range	4" ÷ 26"
pole	swing arm

Power supply

Power supply voltage	230/400 V - 3Ph - 50 Hz 230V - 1Ph - 60Hz 115 - 1Ph - 60Hz
----------------------	--

The manufacturer reserves the right to modify the features of its products at any time.

Cod. DPTC000434A_01_2024