

NEW

10/2021

03/05/2021

TRUCK TYRE CHANGERS



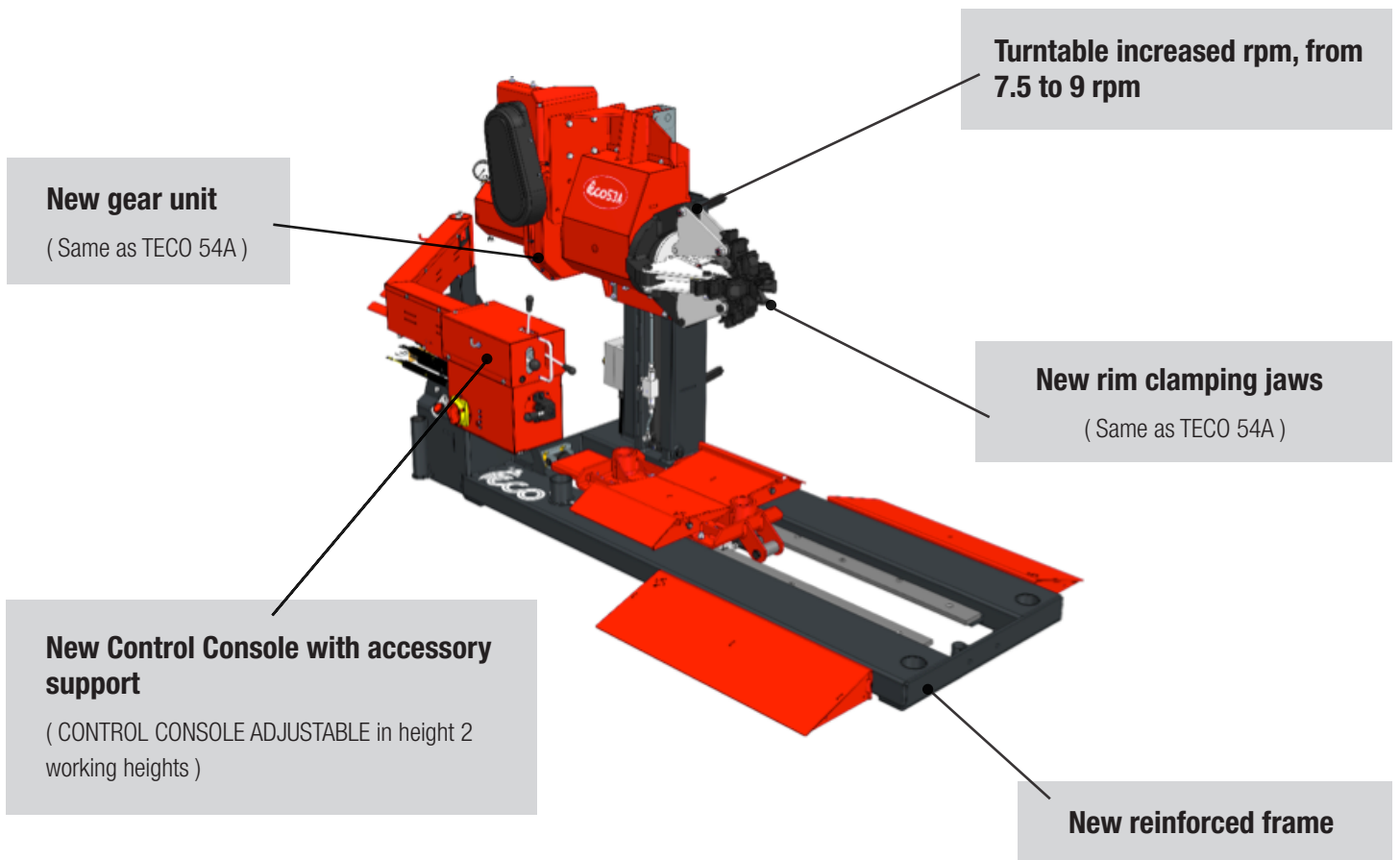
SUBJECT: TECO 53A

We are pleased to inform you that the **TECO 53A** tyre changer has been completely redesigned to offer you better performance. Our vision is to offer a tyre changer that can become the favourite tool of professionals.

The special features of this tyre changer, such as **EASE OF USE, COMPACT SIZE, PERFECT TOOL POSITIONING** and **WORK SPEED** make it an **EASY** and **QUICK** machine to use.

These are the new features of the new TECO 53A:

Available from July !



NEW

10/2021

03/05/2021

TRUCK TYRE CHANGERS

This accessory is different from the previous model since it can be combined with the new clamping jaws

Protections for aluminium rims: 8-12100156



New machine codes to be used for future orders:

| CODE | VERSION |
|---------------|-------------------|
| 0-12601507/00 | TECO 53A 400/3/50 |
| 0-12601508/00 | TECO 53A 230/3/60 |
| 0-12601509/00 | TECO 53A 230/1/50 |
| 0-12601510/00 | TECO 53A 230/1/60 |

This information can also be found in the new brochure.