



SUBJECT: Improvements on low-profile underbody lifts

We hereby inform you that in order to facilitate the arrangement of hydraulic hoses on low-profile underbody lifts, a hose retainer support has been integrated into these lifts as of February 2024 production. This support also avoids direct contact of the hoses with the underside of the runway, preserving its condition.



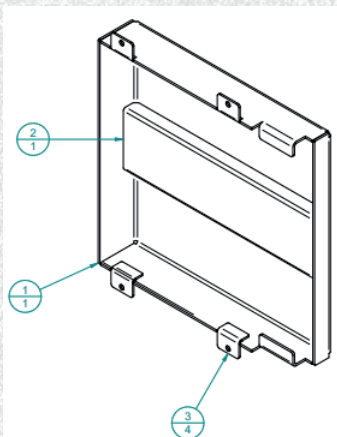
For this purpose, should it become necessary to replace the hydraulic hoses due to premature wear, we recommend the installation of the above support, if not present, in the lift models listed below:

TECO 302 SPECIAL F	TECO 352 SPECIAL F	TECO 352 SPECIAL CS	TECO 402 SPECIAL CS
TECO 302 SPECIAL FI	TECO 352 SPECIAL FI	TECO 352 SPECIAL CSI	TECO 402 SPECIAL CSI
TECO 302 SPECIAL FS	TECO 352 SPECIAL FS	TECO 352 SPECIAL C	
TECO 302 SPECIAL FSI	TECO 352 SPECIAL FSI	TECO 352 SPECIAL CI	

The code to be ordered is as follows:

5-127971 hose retainer plate kit

We would also like to inform you that the code of the recessed installation unit 5-125039 has been updated: the new code 5-125039A, which has been fitted since last year, contains an improvement in the fixing of the pit cover casing that prevents it from tilting, thus preserving the hoses.



As in the previous case, should it become necessary to replace the hydraulic hoses due to wear caused by the tilting of the above-mentioned pit cover casing, we recommend replacing the kit by ordering code 5-125039A.