



**SUBJECT: Checking the correct adjustment of “ClampOnTyre” quick clamp braking cable**



If, without pressing the trigger in the upper handle, you think that the clamp is not properly braking, operate as follows:

1. Check that the clamp remains braked when a force between 10.5 kg and 11.5 kg is applied to the centreline of the movable clamping disc handle grip.

Apply the force in orthogonal direction with respect to the longitudinal axis of the handle (see picture 1). Use a dynamometer or a luggage weighing device to measure the force to be applied. Do not press the trigger located in the upper handle of the quick clamp;

**2. If the clamp remains braked** regardless of the force applied to the movable clamping disc handle, no further corrective action is required;

3. Then check the correct clamping of the clamp by:

- properly mounting it on a wheel,
- releasing the trigger in the upper handle,
- checking the correct clamping of the clamp to the tyre.

**4. If the clamp does not remain braked** with the force applied to the rotating handle, take two wrenches, both with size 10 opening;

5. Work on the nut and lock nut shown in picture 2, so as to correctly adjust the wire tension and thus ensure:

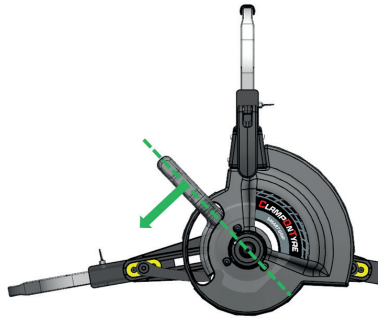
- correct clamping on the brake clamp when the trigger is not pressed,
- correct movement of the movable clamping disc (with handle) when the trigger is pressed;

6. When adjusting the metal cable tension using nut and lock nut:

- Check that the upper fixed handle trigger has, at the start of its stroke, a slight pitch of a few degrees (see also picture 3.a);
- When the trigger is at half stroke, make sure that the clamp (which locks the movable clamping disc) has started loosening its clamping force on the movable disc (see also picture 3.b);

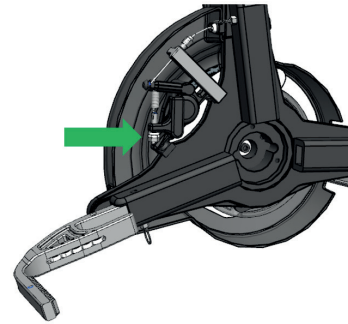
7. When the work on the nut and lock nut has been completed, check what is described in the previous point 1 and following.

**Pic. 1**



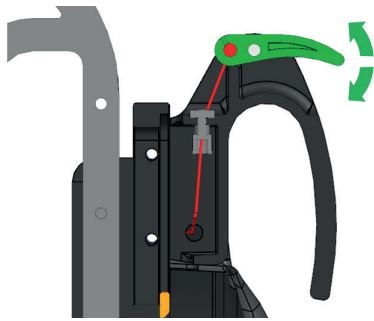
Application of the stress force to check the quick clamp braking

**Pic. 2**



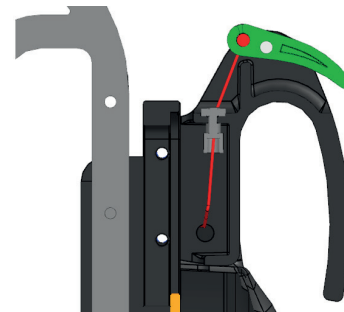
Rear view of quick clamp + indication of nut and lock nut positions (green arrow)

**Pic. 3.a**



Initial stroke position of the trigger in the upper handle + indication of permitted pitch by a few degrees (green arrows) of the trigger

**Pic. 3.b**



Half-stroke position of the trigger in the upper handle