



## SUBJECT: Update in C-Line lifts range

Dear Sirs,

We hereby would like to inform you about following improvements in our C-Line range of lifts.



Brazil



German



English



Spanish



French



Italian

We have generated single leaflets for every C-Line lift, in different languages and with more information, in order to secure a better sales support.

These leaflets are already available on our webpage.

Beside several smaller points, these are the main improvements on quality and functionality done on the lifts:

2-post lifts with top connection **TECO HC4502 / HC5502:**

- Max. locking position increased to market leading 1957 - 2037 mm

**All C-Line scissors lifts:**

- Improved surface treatment of ramps and cylinders which are from now on painted in RAL 9006 for long term functionality and corrosion protection.

Double scissors lifts **TECO C322 EF / C362 EF - TECO C372 I E / C412 I E:**

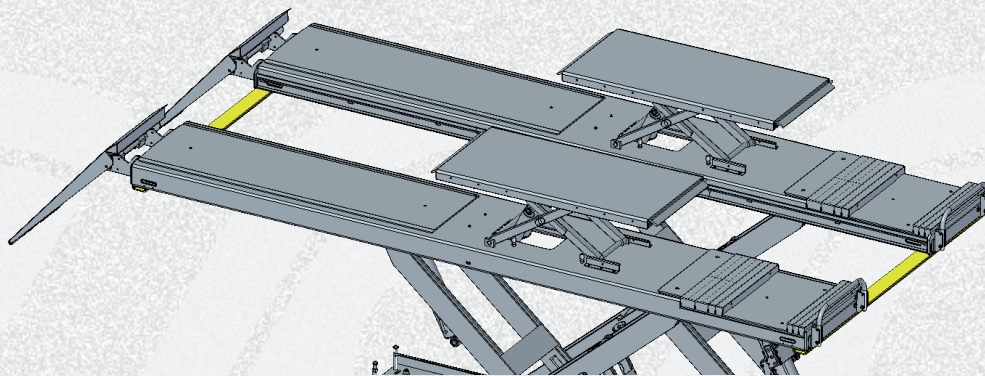
- Structure of the complete lifts was improved for increased stability and rigidity.



The high profile double scissor lifts **TECO C372 I E / C412 I E** will also be made available in Europe, incl. Italy from the beginning of the new year and will be added to the price lists accordingly.

Underwheel scissors lifts with capacity 5,5 T **TECO 5500C / CT / LT:**

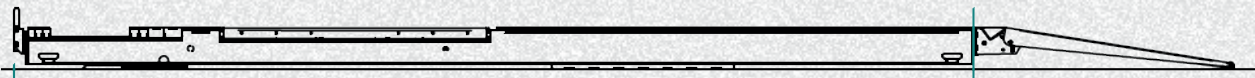
- The structure of the lift table (LT) was improved for increased stability and rigidity
- Installation instructions optimized
- Jacking beams now available in the price list
- All models are also available in "I" version, for recessed installation, with short drive-over flaps in the rear and stops in the front.
- Cross bars now available (see parts in yellow colour in the picture) for less tilting / deflection, especially for wheel alignment lifts and usage of jacking beams (optionally to be ordered – mandatory to be ordered for usage of 2 jacking beams).



**TECO 4500C, TECO 4500C CT, TECO 4500C CT LT** versions: New models with capacity 4,5 T and platform length 4.200 mm, added to the price list since September 2022

**TECO 5500C, TECO 5500C CT, TECO 5500C CT LT** versions: New models with capacity 5,5 T and platform length 5.200 mm (as alternative to 4.600 mm length), added to the price list since September 2022.

Improvement of CT LT versions: the Lift Table is now recessed into platforms, so that it is possible to do the ROC (runout compensation) while wheel alignment.



From the beginning of the new year the underwheel scissors lifts will also be made available in Europe and will therefore be added to the price list. Due to the amount of different versions we have and also to the size of the product, sales are only possible in triangulation. We will not have stock of this product in Correggio. Therefore this kind of lift will not be available for sales in Italy.

To summarize, following to the improvements listed above, all C-line lifts are now available also in Europe. Only the C-line underwheel scissor lifts are not available in Italy.

Finally, all C-line depliant will be updated within short with the latest technical drawings in order to show all the correct technical data.

We remain at your disposal for any further information.